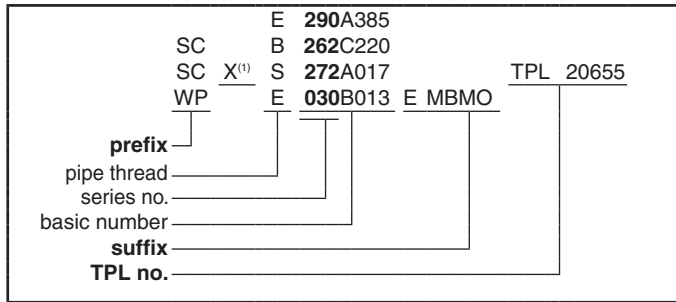


Products in this catalogue are identified by an **alphanumerical** or **numerical** identification system

ALPHANUMERICAL CATALOGUE NUMBERS



(1) The prefix X is always associated with the TPL (temporary parts list) number

PREFIX - Electrical characteristics, connectors etc.

prefix							description
1	2	3	4	5	6	7	
C	F	S	C				Solenoid with connector DIN 43650, 9,4 mm, pilot 302
C	F	V	T				Solenoid with connector M12, LED and protection, pilot 302
E	F						Explosionproof - NEMA 3, 4, 6, 7, 9
E	V						Explosionproof - NEMA 3, 4, 6, 7, 9 - 316 SS
W	B	L	P				Increased safety / encapsulation - moulded enclosure ATEX-IECEX
E	M						Encapsulated ATEX-IECEX
			E	T			Threaded conduit / ext. thread (M20 x 1.5)
				H	T		Class H - high temperature, +80°C ambient temp.
L	P	K	F				Flameproof - Alum. ATEX-IECEX
N	F						Flameproof - Alum. ATEX-IECEX
P	V						Encapsulated ATEX-IECEX
S	C						Solenoid with spade plug connector
			T				Threaded conduit / ext. thread (1/2" NPT)
W	P						Waterproof IP67 - metal enclosure
L	I						Intrinsically safe - Alum. enclosure ATEX-IECEX
N	F			I	S		I.S. with Aluminium IP67 enclosure ATEX-IECEX
W	S						Waterproof IP67 - 316 SS enclosure
W	S	E	M				Encapsulated ATEX-IECEX, 316 SS enclosure
W	S	L	I				Intrinsically safe - 316L enclosure ATEX-IECEX
W	S	L	P	K	F		Flameproof - 316L SS ATEX-IECEX
W	S	N	F				Flameproof - 316L SS ATEX-IECEX
W	S	N	F	I	S		I.S. with 316 SS IP67 enclosure ATEX-IECEX
S	G					X	Dust applications - coils and connectors - II 3 D, Ex tc IIIC Other special constructions *

* If prefix X is used, always specify Temporary Parts List (TPL) number

The catalogue number appears on the product label:



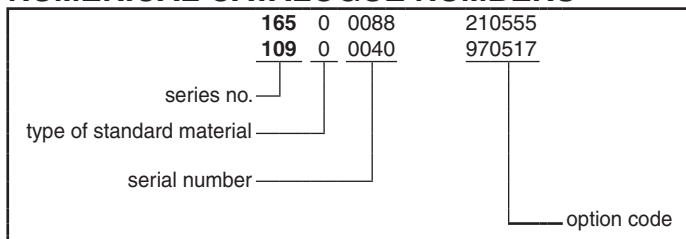
SUFFIX - Seal materials, manual operator etc. (under the "options" column in the SPECIFICATIONS table)

suffix							description
1	2	3	4	5	6	7	
	C	O					Epoxy coating on all external surfaces
E	N	N					EPDM (ethylene-propylene)
N	V						Oxygen service (CR (chloroprene))
H	W						FPM (fluoroelastomer) parts cleaned for oxygen service
J							Diaphragm for hot water service
			L	T			CR (chloroprene / neoprene)
							Low temperature
		M	B				Mounting bracket
				M	O		Impulse or maintained manual operator
					S		Maintained manual operator
		P					Dry gas, non-lubricated air construction
		Q					Long life construction
		S	L				Certified IEC 61508 Functional Safety data
T							PTFE (polytetrafluoroethylene)
V				V	M		FPM (fluoroelastomer)
				V	H		Primary vacuum
							Secondary vacuum

TPL (temporary parts list) number - always associated with the prefix X
(under "options" in the catalogue)

TPL	description
20547	Version for external pilot air supply (series 551-553)
20655	Manual operator with pushbutton (series 272-374)
20674	LED and protection (prefix CFSC)
23012	2 Mounting holes øM4, 7 mm depth (stainless steel body, series 370)

NUMERICAL CATALOGUE NUMBERS



OPTION CODES (under "options" in the catalogue)

option	description
210555	Protective cover mounted on valves 1/2-3/4-DN15-20 (series 165-166)
210556	Protective cover mounted on valves 1-1 1/4-DN25-32 (series 165-166)
210557	Protective cover mounted on valves 1 1/2-2-DN40-50 (series 165-166)
210558	Protective cover mounted on valves DN65-80 (series 165)
260657	2 explosionproof switches, 1 contact, -20°..+80°C, DN15..32 (series 165-166)
260658	2 explosionproof switches, 1 contact, -20°..+80°C, DN40..80 (series 165-166)
260660	2 explosionproof switches, 2 contacts, -20°..+80°C, DN15..32 (series 165-166)
260661	2 explosionproof switches, 2 contacts, -20°..+80°C, DN40..80 (series 165-166)
260663	2 explosionproof switches, 1 contact, -55°..+82°C, DN15..32 (series 165-166)
260664	2 explosionproof switches, 1 contact, -55°..+82°C, DN40..80 (series 165-166)
970509	Oxygen service (series 165 except for DN65 to 80, series 166)
970517	Oxygen service (series 108-109)
970523	Valve body degreased during assembly (series 165-166)

The catalogue number appears on the product label:



If you know the valve function:

Example: solenoid valve 2/2 NC

→ Consult the page:
Solenoid valves 2/2, **section C**

CONTENTS	
GENERAL AND ENGINEERING INFORMATION <small>Catalogue number-page index</small>	A
PROPORTIONAL VALVES	B
→ 2/2 SOLENOID VALVES	C
2/2 VALVES	D

→ Consult the **Product Index of section C**, page V300-1

Simple selection according to:
material, series no.
& operating characteristics
(range of values)

Function	1/P (bar)	2/P (bar)	Temperature min. max. (°C)	Pipe connections	Series	Page
BRASS BODY	0	20	10 - +100		V313	V313
NC-NC	0	20	10 - +100		V313	V313
NC-NO	0	20	10 - +100		V313	V313
NO-NC	0	20	10 - +100		V313	V313
NO-NO	0	20	10 - +100		V313	V313
NC-NC	0	20	10 - +100		V313	V313
NC-NO	0	20	10 - +100		V313	V313
NO-NC	0	20	10 - +100		V313	V313
NO-NO	0	20	10 - +100		V313	V313
NC-NC	0	20	10 - +100		V313	V313
NC-NO	0	20	10 - +100		V313	V313
NO-NC	0	20	10 - +100		V313	V313
NO-NO	0	20	10 - +100		V313	V313
STAINLESS STEEL BODY	0	16	-10 - +85		V316	V316
NC-NC	0	16	-10 - +85		V316	V316
NC-NO	0	16	-10 - +85		V316	V316
NO-NC	0	16	-10 - +85		V316	V316
NO-NO	0	16	-10 - +85		V316	V316

NC	0	10	-20	+85	3/8 .. 1	238	V311
NC-NO	0	9	-20	+85	3/8 .. 1 1/2	210	V313
NC	0,3	16	-10	+85	3/8 .. 2	238	V316

page

or → Consult the **Quick Selection Chart**
section C, page V300-2

Quick Selection Chart - 2/2 SOLENOID VALVES

Detailed selection according to:
operating characteristics
(values)

pipe connections internal thread pad mount	max. operating pressure differential (bar)	fluid temperature range (°C)	power coil (W)	series		page
				AC (-)	DC (=)	
1/4	16	10 - +100	10,5	11,2	210	V313
1/2	16	10 - +100	10,5	11,2	210	V313
3/8	16	10 - +100	10,5	11,2	210	V313
1/2	16	10 - +100	10,5	11,2	210	V313
3/4	16	10 - +100	10,5	11,2	210	V313
1 1/4	16	10 - +100	10,5	11,2	210	V313
2	16	10 - +100	10,5	11,2	210	V313
2 1/2	16	10 - +100	10,5	11,2	210	V313
3	16	10 - +100	10,5	11,2	210	V313
4	16	10 - +100	10,5	11,2	210	V313
5	16	10 - +100	10,5	11,2	210	V313
6	16	10 - +100	10,5	11,2	210	V313
8	16	10 - +100	10,5	11,2	210	V313
10	16	10 - +100	10,5	11,2	210	V313
15	16	10 - +100	10,5	11,2	210	V313
20	16	10 - +100	10,5	11,2	210	V313
25	16	10 - +100	10,5	11,2	210	V313
32	16	10 - +100	10,5	11,2	210	V313
40	16	10 - +100	10,5	11,2	210	V313
50	16	10 - +100	10,5	11,2	210	V313
63	16	10 - +100	10,5	11,2	210	V313
80	16	10 - +100	10,5	11,2	210	V313
100	16	10 - +100	10,5	11,2	210	V313
125	16	10 - +100	10,5	11,2	210	V313
160	16	10 - +100	10,5	11,2	210	V313
200	16	10 - +100	10,5	11,2	210	V313
250	16	10 - +100	10,5	11,2	210	V313
320	16	10 - +100	10,5	11,2	210	V313
400	16	10 - +100	10,5	11,2	210	V313
500	16	10 - +100	10,5	11,2	210	V313
630	16	10 - +100	10,5	11,2	210	V313
800	16	10 - +100	10,5	11,2	210	V313
1000	16	10 - +100	10,5	11,2	210	V313
1250	16	10 - +100	10,5	11,2	210	V313
1600	16	10 - +100	10,5	11,2	210	V313
2000	16	10 - +100	10,5	11,2	210	V313
2500	16	10 - +100	10,5	11,2	210	V313
3200	16	10 - +100	10,5	11,2	210	V313
4000	16	10 - +100	10,5	11,2	210	V313
5000	16	10 - +100	10,5	11,2	210	V313
6300	16	10 - +100	10,5	11,2	210	V313
8000	16	10 - +100	10,5	11,2	210	V313
10000	16	10 - +100	10,5	11,2	210	V313

page

→ Consult page V313-1

SOLENOID VALVES
pilot operated
hung diaphragm
3/8 to 1 1/2

2/2 Series 210

FEATURES

- Two way shut-off valves for the control air, inert gas, water, oil and other gases/liquids compatible with the sealing material used
- Valves do not require a minimum operating pressure
- All products are covered by Pressure Equipment Directive 2014/68/EU and are suitable for group 1 and 2 fluids
- The solenoid valves satisfy all relevant EU directives

GENERAL

Differential pressure See -SPECIFICATIONS- [1 bar = 100 kPa]
Maximum viscosity 65 cSt (mm²/s)
Response time 15 - 120 ms

fluids (*)	temperature range (TS)	seal materials (+)
air, inert gas, water, oil	-20°C to +60°C	NBR (nitrile)

MATERIALS IN CONTACT WITH FLUID

(*) Ensure that the compatibility of the fluids in contact with the materials is verified.

page

Example: pressure-operated valve 2/2 NC

→ Consult the page:
Pressure-operated valves 2/2, **section D**

CONTENTS	
GENERAL AND ENGINEERING INFORMATION <small>Catalogue number-page index</small>	A
PROPORTIONAL VALVES	B
2/2 SOLENOID VALVES	C
→ 2/2 VALVES	D

→ Consult the **Product Index of section D**, page V400-1

Simple selection according to:
material, series no.
& operating characteristics
(range of values)

Function	1/P (bar)	2/P (bar)	Temperature min. max. (°C)	Pipe connections	Series	Page
BRASS BODY	0	16	-10 - +184		E290	V410
NC-NC	0	16	-10 - +184		E290	V410
NC-NO	0	16	-10 - +184		E290	V410
NO-NC	0	16	-10 - +184		E290	V410
NO-NO	0	16	-10 - +184		E290	V410
STAINLESS STEEL BODY	0	16	-10 - +184		U280	V412
NC-NC	0	16	-10 - +184		U280	V412
NC-NO	0	16	-10 - +184		U280	V412
NO-NC	0	16	-10 - +184		U280	V412
NO-NO	0	16	-10 - +184		U280	V412

STAINLESS STEEL BODY	0	16	-10	+184	1/2, 2 1/2	E290	V410
NC-NO	0	16	-10	+184	1/2, 1	U280	V412

page

or → Consult the **Quick Selection Chart**
section D, page V400-2

Quick Selection Chart - 2/2 VALVES

Detailed selection according to:
operating characteristics
(values)

pipe connections internal thread pad mount	max. operating pressure differential (bar)	fluid temperature range (°C)	power consumption (W)	series		page
				AC (-)	DC (=)	
1/4	16	10 - +100	12	0	E290	V406
1/2	16	10 - +100	12	0	E290	V406
3/8	16	10 - +100	12	0	E290	V406
1/2	16	10 - +100	12	0	E290	V406
3/4	16	10 - +100	12	0	E290	V406
1 1/4	16	10 - +100	12	0	E290	V406
2	16	10 - +100	12	0	E290	V406
2 1/2	16	10 - +100	12	0	E290	V406
3	16	10 - +100	12	0	E290	V406
4	16	10 - +100	12	0	E290	V406
5	16	10 - +100	12	0	E290	V406
6	16	10 - +100	12	0	E290	V406
8	16	10 - +100	12	0	E290	V406
10	16	10 - +100	12	0	E290	V406
15	16	10 - +100	12	0	E290	V406
20	16	10 - +100	12	0	E290	V406
25	16	10 - +100	12	0	E290	V406
32	16	10 - +100	12	0	E290	V406
40	16	10 - +100	12	0	E290	V406
50	16	10 - +100	12	0	E290	V406
63	16	10 - +100	12	0	E290	V406
80	16	10 - +100	12	0	E290	V406
100	16	10 - +100	12	0	E290	V406
125	16	10 - +100	12	0	E290	V406
160	16	10 - +100	12	0	E290	V406
200	16	10 - +100	12	0	E290	V406
250	16	10 - +100	12	0	E290	V406
320	16	10 - +100	12	0	E290	V406
400	16	10 - +100	12	0	E290	V406
500	16	10 - +100	12	0	E290	V406
630	16	10 - +100	12	0	E290	V406
800	16	10 - +100	12	0	E290	V406
1000	16	10 - +100	12	0	E290	V406
1250	16	10 - +100	12	0	E290	V406
1600	16	10 - +100	12	0	E290	V406
2000	16	10 - +100	12	0	E290	V406
2500	16	10 - +100	12	0	E290	V406
3200	16	10 - +100	12	0	E290	V406
4000	16	10 - +100	12	0	E290	V406
5000	16	10 - +100	12	0	E290	V406
6300	16	10 - +100	12	0	E290	V406
8000	16	10 - +100	12	0	E290	V406
10000	16	10 - +100	12	0	E290	V406

page

→ Consult page V410-1

VALVES
pressure operated
bronze or stainless steel body
threaded ports, 3/8 to 2 1/2

2/2 Series E290

FEATURES

- High flow due to angled seat design
- All-weather design (fluid entry under the disc)
- Vacuum operation up to 10⁻¹ mbar
- Wide range of piston-type operation (20 - 50 - 60 - 80 - 125 mm dia.) rotatable through 360° for maximum performance at different minimum pilot pressures
- High performance, maintenance-free stuffing box
- The valves satisfy Pressure Equipment Directive 2014/68/EU, category 1 (DN > 25) or article 4.3 (DN ≤ 25)
- The valves in conformity with EC 61528 Standard (2010 route 2, version) certified with integrity levels: SIL 2 for HFT = 0

GENERAL

Differential pressure See -SPECIFICATIONS- [1 bar = 100 kPa]
Maximum allowable pressure 16 bar
Ambient temperature range -10°C to +60°C
Maximum viscosity 600 cSt (mm²/s)
Pilot fluid Filtered air or water
Max. pilot pressure 10 bar
Min. pilot pressure See below and following page

SOLENOID VALVES WITH CONNECTOR

Ordering example (alphanumerical catalogue number)



+ 2 mounting holes øM4, depth 7 mm + voltage/frequency (AC) or voltage (DC)

full catalogue number:
SCXE370A031

TPL:
23012

230V/AC 50 Hz

Ordering example (numerical catalogue number)



+ oxygen service + voltage/frequency (AC) or voltage (DC)

full catalogue number:
10900040

option code:
970517

24V/DC

PRESSURE-OPERATED VALVES

Ordering example (piston-type valve)



=



+



full catalogue number:
E290A384

solenoid pilot valve:
18900032

Ordering example (diaphragm-type valve)



=



+



+



guard mounted on valve

full catalogue number:
16500088

solenoid pilot valve:
E314K151S1N01F8

option code:
210555

Example: You have selected a 2/2 NC series **262** solenoid valve (from **section C**) and would like to choose a solenoid for this valve for use in explosive atmosphere zones 1-21, protection type “em”.

A

→ Product page **V235-1** (standard solenoid valve)

IONS» [1 bar = 100 kPa]

seal materials (*)	
NBR (nitrile)	
UR (cast urethane)	

with the materials is verified
ISI 303 SS

Ø 6-10 mm
75301-803, form A

N 60529)
V - 115V - 230V / 50 Hz


replacement coil		
	=	type (1)
25-117	400325-142	01
25-217	400325-242	01
25-117	400425-142	02
25-217	-	02
-	400425-342	02

power coil		options	
oil (*)		maintained man. operator	
		FPM	
		EPDM	
		CR	
		PTFE	

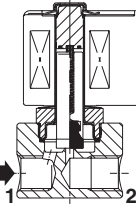
coil power:
11.2W DC

catalogue number:
SCB262C220

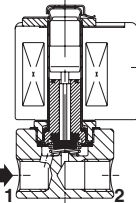
5	35	35	6	9,7	SCB262C080	-	V	E	J	T
8	11	8	6	9,7	SCB262C086	MO	V	E	J	T
4	8	4	6	9,7	SCB262C007		V	E	J	T
5	10,5	10,5	11,2	11,2	SCB262C220		V	E	J	T
7	6,5	1,7	10,5	11,2	SCB262C226		V	E	J	T



C



NC function



NO function



→ Consult the **Ex** Quick Selection Chart, **Section C**, page **V200/V300-5**

- in the rows: locate the series number **262** and the coil power **11,2 W**
- in the columns: locate ATEX zones 1-21 and protection type “e mb”
- at the row/column intersection: find the ATEX-compatible solenoids (identified by the logo **Ex**)
- and identify the ATEX page number **V1047-1**

ASCO™		Quick Selec		zones 1-21		TM	
				protection type “Ex e mb”			
page	series	AC (-)	DC (=)	dusts	zones	gas / dusts	zones
				zone 22	2-22	1-21	
V209	256	4	6,9	3 D Ex tc	3 G Ex nA 3 D Ex tc	2 G Ex d 2 D Ex tb	2 G Ex e mb 2 D Ex mb
				Y1088 SG (X(M)S) SG (C2S)	Y1081 IIC T6, T4 Gc / IIC IP65 T85°C, T135°C Dc)	Y1010 NF (MXX) NF (MT2) WSNF (MXX) WSNF (MT2)	Y1047 WSEM (MXX) WSEM (M6) WSEM (M12) WSEM (MXX)
				series 262			
				power: 11,2W			
V235	262	10,5	11,2	17,1	9,7	12,5	12,5
				6	9,7	12,5	12,5
				8,1	19,7		

→ Consult page **V1047-1: solenoid operators** **Ex** zone 1-21 “e mb”

ASCO™ for potentially explosive atmospheres increased safety/encapsulation
II 2 G Ex e mb II T6, T3 Gb, II 2 D Ex tb IIC T85°C, T200°C Db IP66/67, steel or stainless steel enclosure

OPERATORS

EM
WSEM

FEATURES

- Explosionproof operator for use in potentially explosive atmospheres according to ATEX-Directive 2014/34/EU
- EC-type examination certificate no.: **KEMA 98 ATEX 2542 X**
- IECEX Certificate of Conformity no.: **IECEX KEM 08.0002X**
- Compliance with the Essential Health and Safety Requirements has been assured by compliance with the International and European Standards EN-IEC 60079-0, EN-IEC 60079-7, EN-IEC 60079-18 and EN-IEC 60079-31
- Easy electrical installation by means of a screw terminal coil
- Peak voltage suppression standard for DC enclosures
- Enclosure provided with integral strain relief for cable with an o.d. of 7 to 12 mm
- Ingress protection degree IP66/67
- A wide range of valves can be supplied with the operator

CONSTRUCTION

Solenoid enclosure EM Zinc plated steel (epoxy coated)
WSEM Stainless steel, AISI 316

Cable gland PA, M20 x 1,5

Core, core tube and plugnut Stainless steel

Shading coil Copper or silver

Nameplate Polyester

Coil connection Embedded screw terminals

Safety code Ex II 2G Ex e mb IIC T6, T3 Gb
II 2D Ex tb IIC T85°C, 200°C Db IP66/67

ELECTRICAL CHARACTERISTICS

Standard voltages DC (-): 24V - 48V
AC (-): 24V - 48V - 115V - 230V / 50 Hz
(Other voltages and 60 Hz on request)

TEMPERATURE CLASSIFICATION TABLES

DC (-) solenoids

solenoid size		maximum ambient °C (1)			
Pn (watt)	insulation class F (155°C), 100% E.D.	T6	T5	T4	T3
1,2	1,2	40	40	40	40
1,5	1,5	40	40	40	40
1,8	1,8	40	40	40	40
3,7	3,7	40	40	40	40
5,8	5,8	40	40	40	40
6,0	6,0	40	40	40	40
9,0	9,0	40	40	40	40
10,0	10,0	40	40	40	40
10,0	10,0	40	65	40	40
10,5	10,5	40	40	40	40
13,0	13,0	40	40	40	40
13,8	13,8	40	40	40	40
14,1	14,1	40	40	40	40

DC (+) solenoids

solenoid size		maximum ambient °C (1)			
Pn (watt)	insulation class F (155°C), 100%	T6	T5	T4	T3
1,3	1,3	40	40	40	40
1,5	1,5	40	40	40	40
1,8	1,8	40	40	40	40
3,7	3,7	40	40	40	40
5,8	5,8	40	40	40	40
6,0	6,0	40	40	40	40
9,0	9,0	40	40	40	40
10,0	10,0	40	40	40	40
10,0	10,0	40	65	40	40
10,5	10,5	40	40	40	40
13,0	13,0	40	40	40	40
13,8	13,8	40	40	40	40
14,1	14,1	40	40	40	40

power compatibility:
11.2W DC / coil MXX

ORDERING INFORMATION

A valve supplied with the explosionproof operator will be identified with prefix EM or WSEM before the catalogue number.
Example: **WSEM E 210D095 230V/50 Hz**
EM E 210D095 230V/50 Hz

operator _____ voltage _____



EM



EM



EM

Prefix EM before the selected catalogue number: EMB262C220



Example: You have selected a series **290** pressure-operated valve 2/2 NC (from **section D**) and would like to use it in explosive atmosphere zone 22.

→ Product page **V410-1** (standard pressure-operated valve)

VALVES
pressure operated
bronze or stainless steel body
threaded ports, 3/8 to 2 1/2

2/2 Series E290

angled seat design
or design (fluid entry under the disc)
up to 10⁵ mbar
store-type operators (32 - 50 - 63 - 90 - 125 mm dia.) rotatable
maximum performance at different minimum pilot pressures
maintenance-free stuffing box
Pressure Equipment Directive 2014/68/EU,
Article 4.3 (DN ≤ 25)
conformity with IEC 61508 Standard (2010 route 2, version) certi-
fication levels: SIL 2 for HFT = 0

pressure range
See -SPECIFICATIONS- (1 bar = 100 kPa)
16 bar
-10°C to +60°C
600 cSt (mm²/s)
Filtered air or water (1)
10 bar
See below and following page
-10°C to +60°C
See page V402-7

fluids (+)	temperature range	disc seal (+)
industrial gas groups 1 & 2 and gas group 2 for groups 1 & 2 and steam	-10°C to +184°C	PTFE

CONTACT WITH FLUID
compatibility of the fluids in contact with the materials is verified

body	Stainless steel body
Brass	AlSi 316L
Stainless steel	Stainless steel
Brass	Stainless steel
PTFE chevrons	PTFE chevrons
FPM	FPM
PTFE	PTFE
PTFE	PTFE

disc seal
Glass fibre filled PA
PA 12, supplied standard on valves with 63, 90
and 125 mm operators

and 125 mm operators: At service fluid temperatures inside the valve body above
pilot the valve with water.

pilot pressure (bar)	operating pressure differential (bar)		catalogue number selected:
	min.	max.	
4	10	0	E290A384

catalogue number selected: **E290A384**

D

→ Consult page **V436: pressure-operated valves** (Ex)

EX 2014/34/EU
ACCESSORIES
potentially explosive atmospheres
zone 20 and 390

compliance with ATEX-Directive 2014/34/EU,
requirements has been assured by compliance with European Standards
for gas and paint coating industries etc.

classification (zones)									
category 2					category 3				
dusts	gas		safety code		dusts	gas		safety code	
	IIA	IIB			IIC		IIA		
21	1	1	1	⊕ II 2 GD c IIB T4 T135°C	22	2	2	2	⊕ II 3 GD c T4 T135°C
21	1	1	1	⊕ II 2 GD c IIB T4 T135°C	22	2	2	2	⊕ II 3 GD c T4 T135°C
21	1	1	1	⊕ II 2 GD c IIB T4 T135°C	22	2	2	2	⊕ II 3 GD c T4 T135°C
21	-	-	-	⊕ II 2 D c T135°C	22	2	2	2	⊕ II 3 GD c T4 T135°C

suffix to be added to the valve's catalogue number (1)

category 2	category 3
GD2	GD3

designed for use in zones 1 and 21 (category 2), catalogue number: **E290B010GD2**

catalogue page
see page

Suffix **GD3** behind the selected catalogue number:
E290A384 GD3

2/2 - 3/2 Series 290 - 390

D

→ Consult the (Ex) Quick Selection Chart, **Section D**, page **V400-4**

- in the rows: locate the series number **E290**
- in the columns: locate ATEX zone 22
- at the row/column intersection: find the ATEX-compatible products (identified by the logo (Ex))
- and identify the ATEX page number **V436**

Quick Selection Chart - POTENTIALLY EXPLOSIVE ATMOSPHERES									
PRESSURE OPERATED VALVES									
page	series	DN	group II			ATEX page			
			dusts zone 22	gas zone 2	dusts zone 21	gas zone 1	dusts zone 0		
V410	E290	10 → 65	⊕	⊕	⊕	⊕	⊕	⊕	⊕
V411	E290	10 → 65	⊕	⊕	⊕	⊕	⊕	⊕	⊕
V412	E290	10 → 20	⊕	⊕	⊕	⊕	⊕	⊕	⊕
V414	E290	10 → 20	⊕	⊕	⊕	⊕	⊕	⊕	⊕
V420	E290	10 → 65	⊕	⊕	⊕	⊕	⊕	⊕	⊕
V422	E290	10 → 65	⊕	⊕	⊕	⊕	⊕	⊕	⊕
V431	T290	25 → 50	⊕	⊕	⊕	⊕	⊕	⊕	⊕

All leaflets are available on: www.ascoco.com

V003-6

00003GB-2016/R01 Availability, design and specifications are subject to change without notice. All rights reserved.